



Malleable Iron Pipe Fittings



SOUTH OF GUOJIATUN VILAGE,
 GUOJIATUN YUTIAN YUDONG CASTING CO., LTD
 ADD:TOWN,YUTIAN COUNTRY,TANGSHAN CITY HEBEI PROVINCE
 Tel: 0086 15175630633; 0315-6136616
 Website : www.yinuo-pipefittings.com
 E-mail: yinuopipefitting@163.com



www.yinuo-pipefittings.com



企业简介 COMPANY INTR

YUTIAN YUDONG CASTING Co.,Ltd

Was founded in 1990, for more than 25 years, the brand name is Yinuo, Yinuo is always focusing on providing the solutions for piping system for clients all over the world. Yinuo is supplying the malleable iron pipe fittings, ductile

iron pipe fittings, grooved pipe fittings, forged pipe fittings, stainless steel pipe fittings, brass pipe fittings, stainless steel valves, welded pipe and other relevant accessories, widely used for fire protection system, gas piping system, HVAC, home decoration etc.

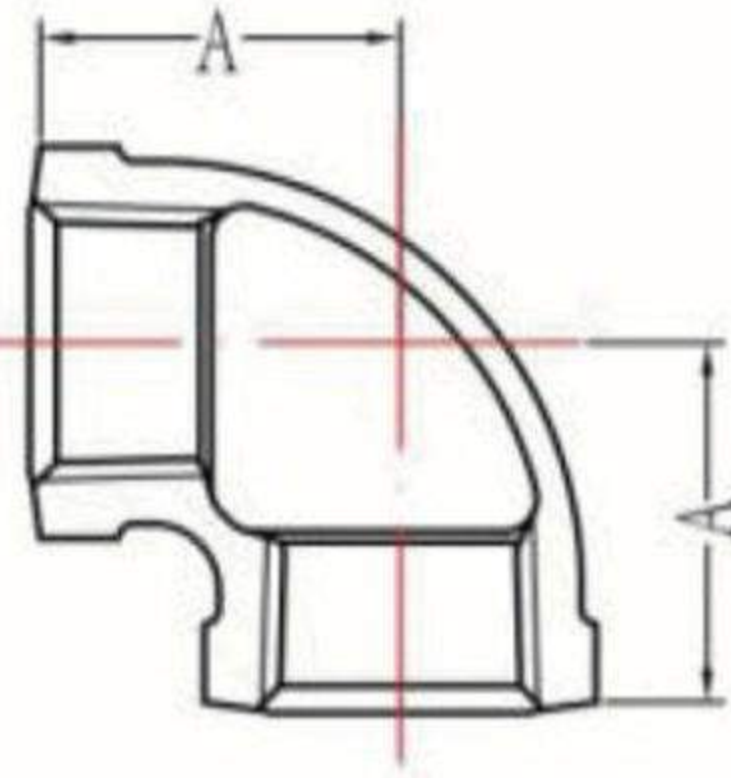
Our products are approved by UL, FM, CE, BSI, TSE, ISO, also when you choose us, you are hiring a team of experts with a deep understanding of your industrial and your particular needs.





Elbows

90° Elbow

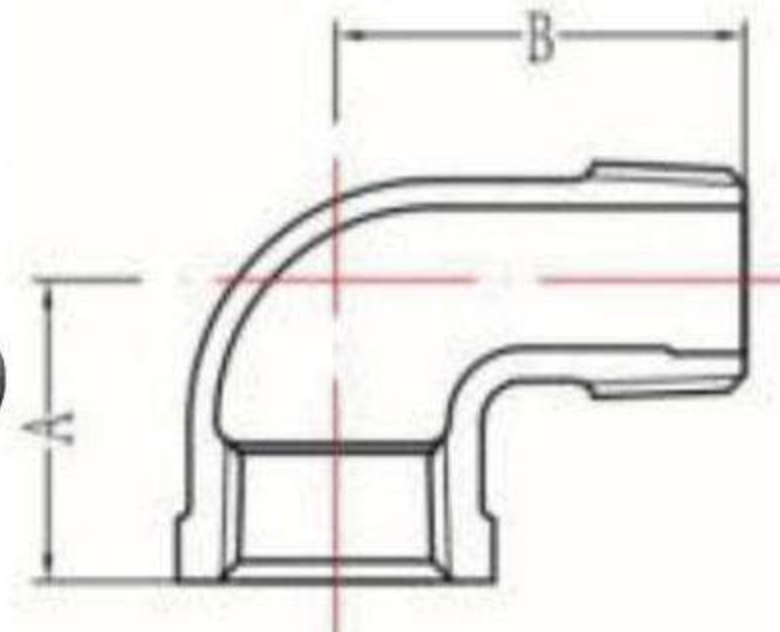


Unit:mm

90

Size	In	1/4	3/8	1/2	3/4	1	1 1/4
	mm	8	10	15	20	25	32
A		20	24	27	32	37	44.5
Size	In	1 1/2	2	2 1/2	3	4	6
	mm	40	50	65	80	100	150
A		48.5	57	68.5	77.5	96.5	129

90° M&F Elbow

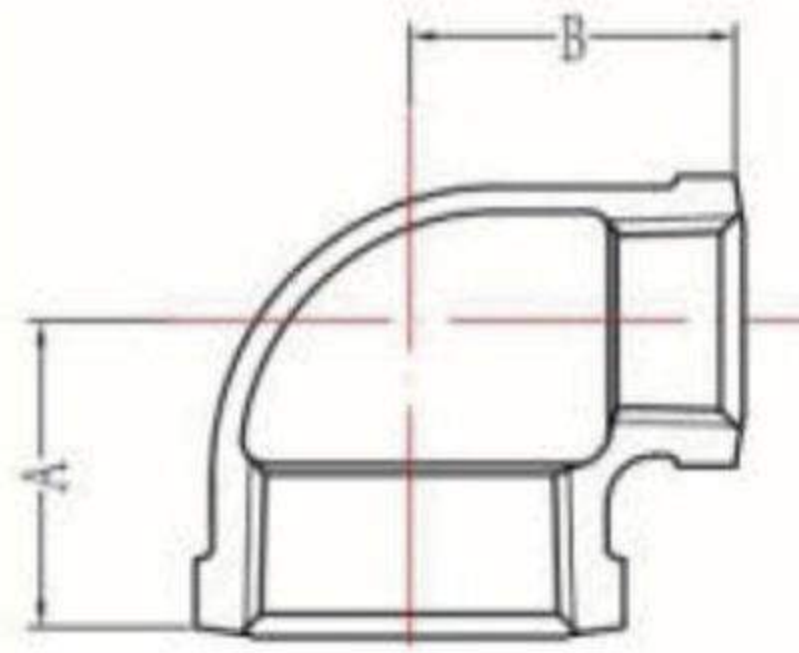


Unit:mm

92

Size	In	1/4	3/8	1/2	3/4	1	1 1/4
	mm	8	10	15	20	25	32
A		20	25	28	33	38	45
B		28	33	38	44	52	60
Size	In	1 1/2	2	2 1/2	3	4	-
	mm	40	50	65	80	100	-
A		50	58	69	77.5	96.5	-
B		65	74	90	100	120	-

Elbow, Reducing

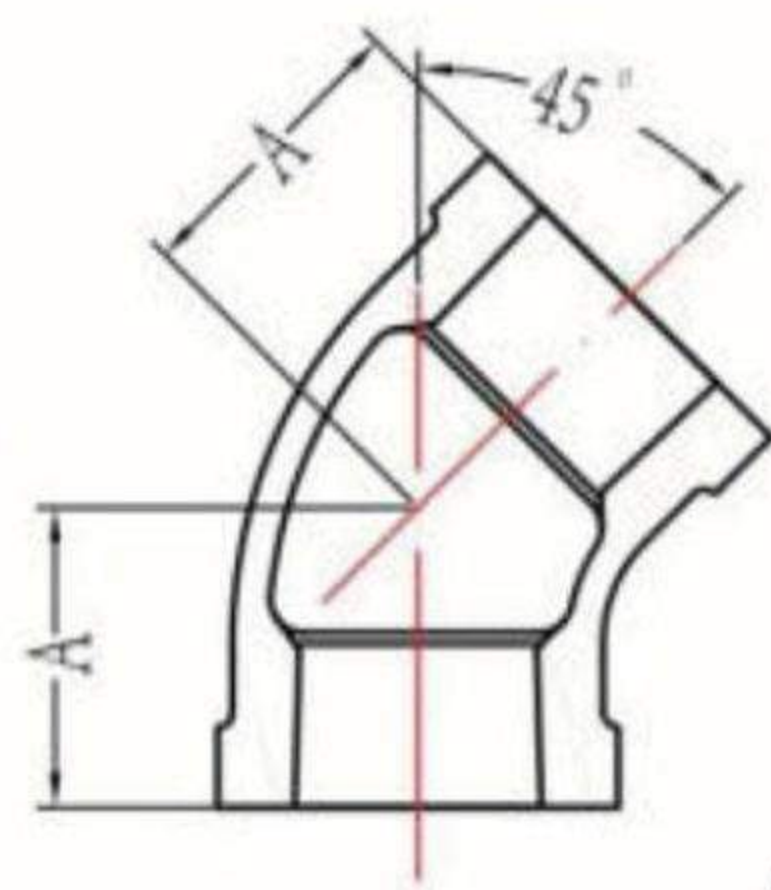


Unit:mm

90R

Size		A	B	Size		A	B
mm	in			mm	in		
15x10	1/2x3/8	25	25	65x25	2 1/2x1	47.5	59
20x15	3/4x1/2	29	30	65x32	2 1/2x1 1/4	51.5	61
25x10	1x3/8	29	31	65x40	2 1/2x1 1/2	54.5	61
25x15	1x1/2	31	33	65x50	2 1/2x2	59.5	64
25x20	1x3/4	34	35	80x15	3x1/2	42.5	64
32x10	1 1/4x3/8	31	36	80x20	3x3/4	45.5	65
32x15	1 1/4x1/2	34	37	80x25	3x1	49.5	67
32x20	1 1/4x3/4	36	40	80x32	3x1 1/4	54.5	69
32x25	1 1/4x1	40	41	80x40	3x1 1/2	57.5	71
40x15	1 1/2x1/2	35	41	80x50	3x2	61.5	71
40x20	1 1/2x3/4	37	43	80x65	3x2 1/2	71.5	74
40x25	1 1/2x1	41	45	100x15	4x1/2	49.5	78
40x32	1 1/2x1 1/4	45	47	100x20	4x3/4	53.5	79
50x15	2x1/2	37	47	100x25	4x1	56.5	82
50x20	2x3/4	40	49	100x32	4x1 1/4	60.5	85
50x25	2x1	43	51	100x40	4x1 1/2	62.5	85
50x32	2x1 1/4	47	53	100x50	4x2	68.5	86
50x40	2x1 1/2	51	54	100x65	4x2 1/2	77.5	89
65x15	2 1/2x1/2	40.5	56	100x80	4x3	82.5	90
65x20	2 1/2x3/4	43.5	57	-	-	-	-

45° Elbow



Unit:mm

120

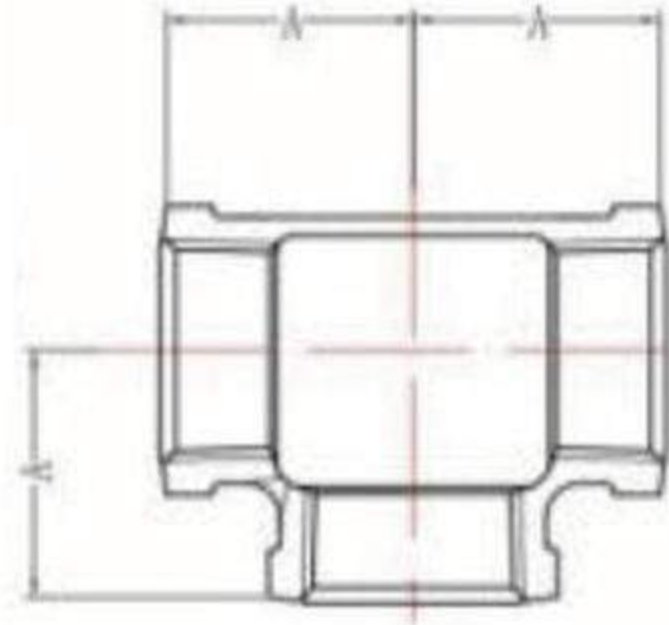
Size	In	1/2	3/4	1	1 1/4	1 1/2	2
	mm	15	20	25	32	40	50
A		22	25	28	33	36	43
Size	In	2 1/2	3	4	6	-	-
	mm	65	80	100	150	-	-
A		48.5	53.5	64.5	129	-	-

*Other sizes may also available, please indicate clearly on the inquiry or order list.



Tee

Tee

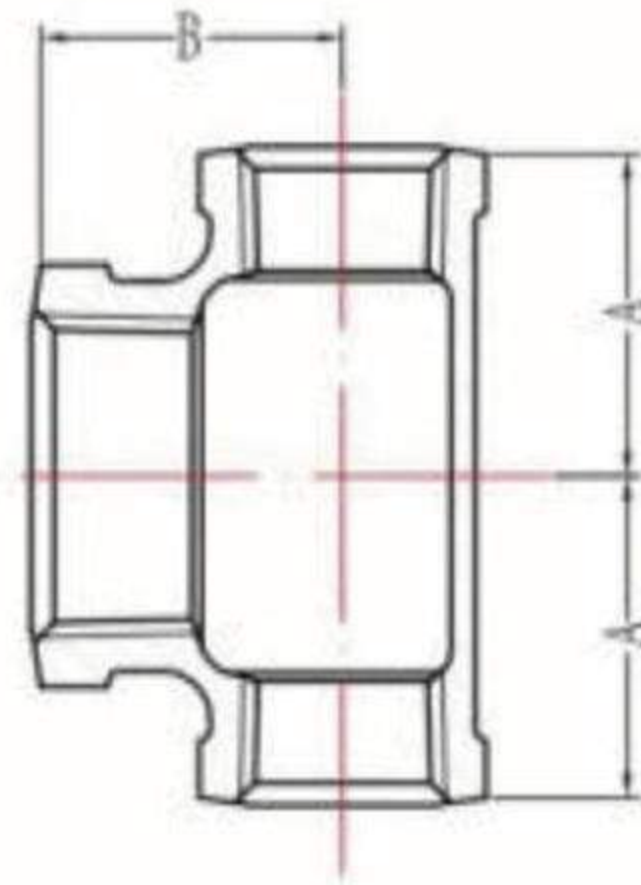


130

Unit:mm

Size	In	1/4	3/8	1/2	3/4	1	1 1/4
	mm	8	10	15	20	25	32
A		20	24	27	32	37	44.5
Size	In	1 1/2	2	2 1/2	3	4	6
	mm	40	50	65	80	100	150
A		48.5	57	68.5	77.5	96.5	129

Tee, Reducing

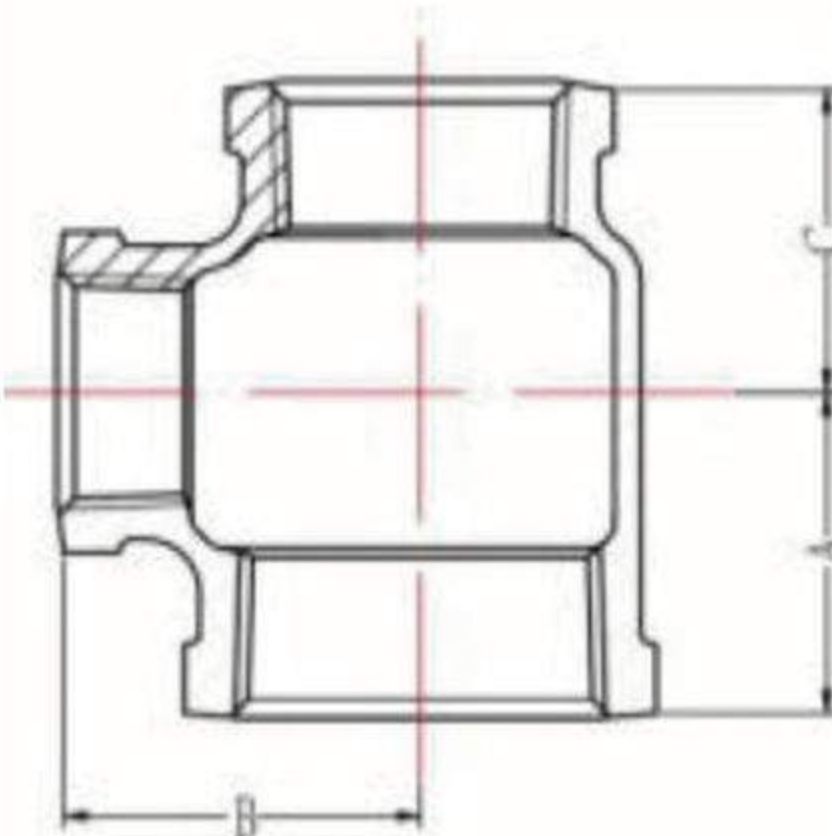


130R

Unit:mm

Size	mm	15×20	15×25	20×25	20×32	25×32	25×40
	In	1/2×3/4	1/2×1	3/4×1	3/4×1 1/4	1×1 1/4	1×1 1/2
A		30	33	35	40	41	45
B		29	31	34	36	40	41
Size	mm	25×50	32×40	32×50	40×50	40×65	40×80
	In	1×2	1 1/4×1 1/2	1 1/4×2	1 1/2×2	1 1/2×2 1/2	1 1/2×3
A		51	47	53	54	61	71
B		43	45	47	51	54.5	57.5
Size	mm	50×65	50×80	65×80	80×100	-	-
	In	2×2 1/2	2×3	2 1/2×3	3×4	-	-
A		63	71	74	90	-	-
B		58	61.5	71.5	82.5	-	-

Reducing Tee



131R

Unit:mm

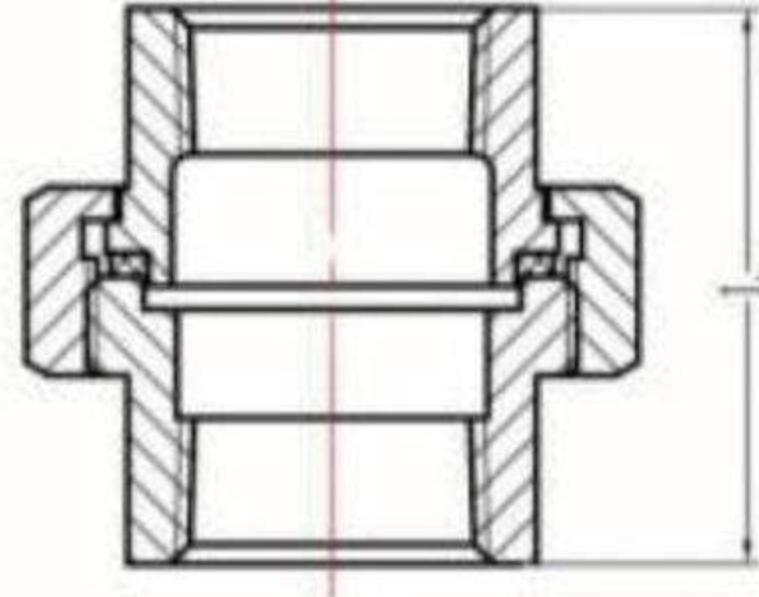
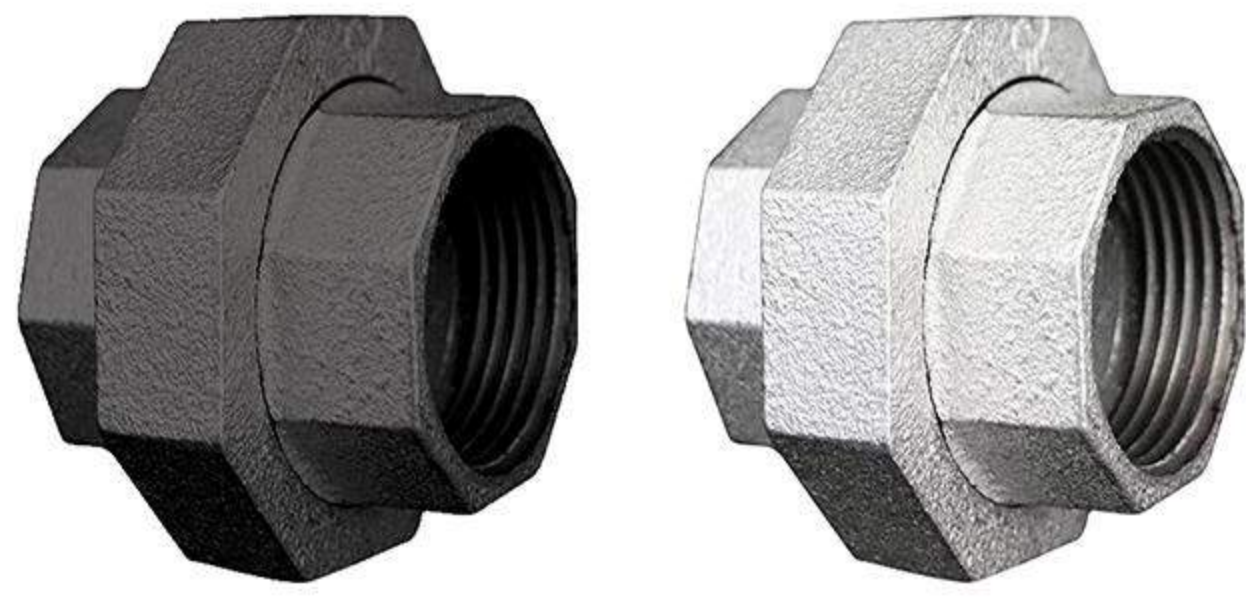
Size	In	1 1/4×1/2×1	1 1/4×3/4×1	1 1/4×1×1	1 1/2×1/2×1 1/4	1 1/2×3/4×1 1/4	1 1/2×1×1
	mm	32×15×25	32×20×25	32×25×25	40×15×32	40×20×32	40×25×25
A		34	36	39	35	37	40
B		37	40	40	41	43	44
C		31	34	36	34	36	36
Size	In	1 1/2×1×1 1/4	1 1/2×1 1/4×1	1 1/2×1 1/4×1 1/4	2×1/2×1 1/4	2×3/4×1 1/4	2×1×1 1/4
	mm	40×25×32	40×32×25	40×32×32	50×15×40	50×20×40	50×25×32
A		41	45	45	37	40	43
B		45	47	47	47	49	51
C		40	41	44.5	35	37	40
Size	In	2×1×1 1/2	2×1 1/4×1 1/4	2×1 1/4×1 1/2	2×1 1/2×1	2×1 1/2×1 1/4	2 1/2×3/4×2
	mm	50×25×40	50×32×32	50×32×40	50×40×25	50×40×40	65×20×50
A		42	47	47	51	51	43.5
B		49	53	53	54	54	57
C		40	44.5	45	45	48.5	40
Size	In	2 1/2×1×2	2 1/2×1 1/4×1 1/2	2 1/2×1 1/4×2	2 1/2×1 1/2×2	2 1/2×2×2	3×1×2 1/2
	mm	65×25×50	65×32×40	65×32×50	65×40×50	65×50×50	80×25×65
A		45	51.5	51.5	54.5	59.5	49.5
B		58	61	61	61	64	67
C		42	45	47	51	57	47.5
Size	In	3×1 1/4×2 1/2	3×1 1/4×2 1/2	3×2×2 1/2	3×2 1/2×2 1/2	-	-
	mm	80×32×65	80×40×65	80×50×65	80×65×65	-	-
A		54.5	57.5	61.5	71.5	-	-
B		69	71	71	74	-	-
C		51.5	54.5	59.5	68.5	-	-

*Other sizes may also available, please indicate clearly on the inquiry or order list.



Union

Union, Coupling

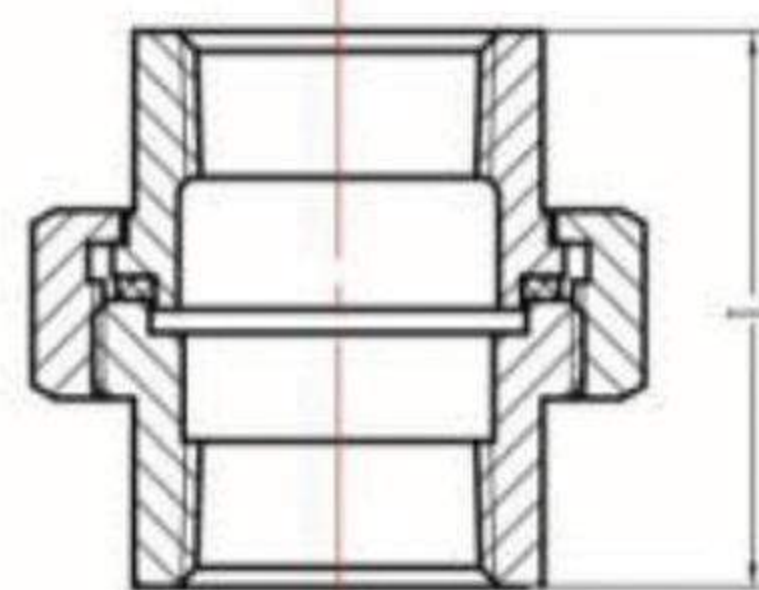
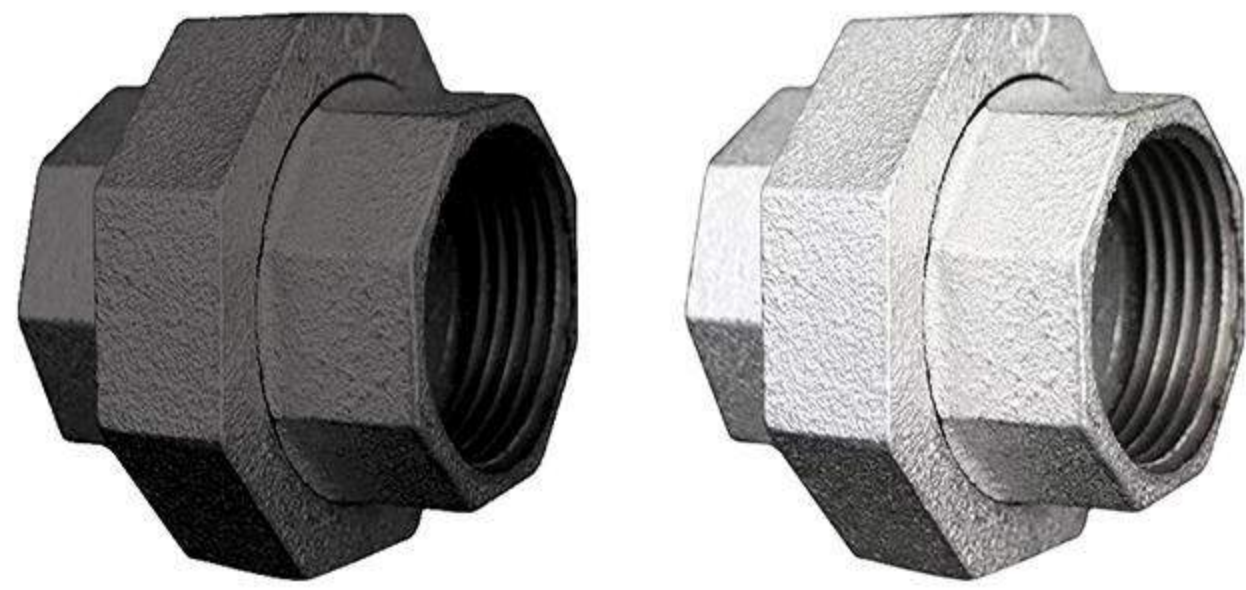


Unit:mm

330

Size	In	1/2	3/4	1	1¼	1½	2
	mm	15	20	25	32	40	50
L		46	50	56	63	68	76
Size	In	2½	3	4	-	-	-
	mm	65	80	100	-	-	-
L		83	93	113.5	-	-	-

Union, Taper Seat

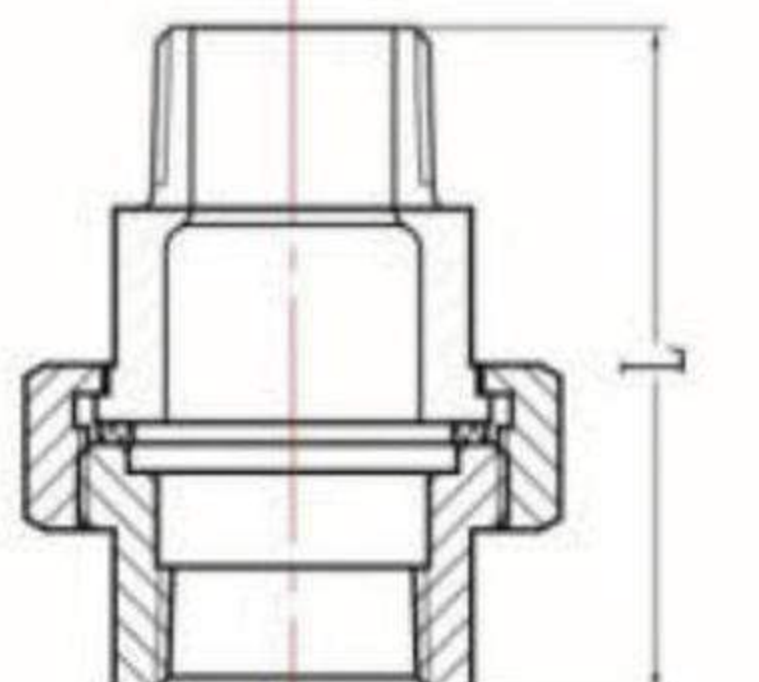


Unit:mm

340

Size	In	1/2	3/4	1	1¼	1½	2
	mm	15	20	25	32	40	50
L		47	51.5	57	65	71	79
Size	In	2½	3	4	-	-	-
	mm	65	80	100	-	-	-
L		85.5	94.5	110.5	-	-	-

M&F Unions, Flat Seat

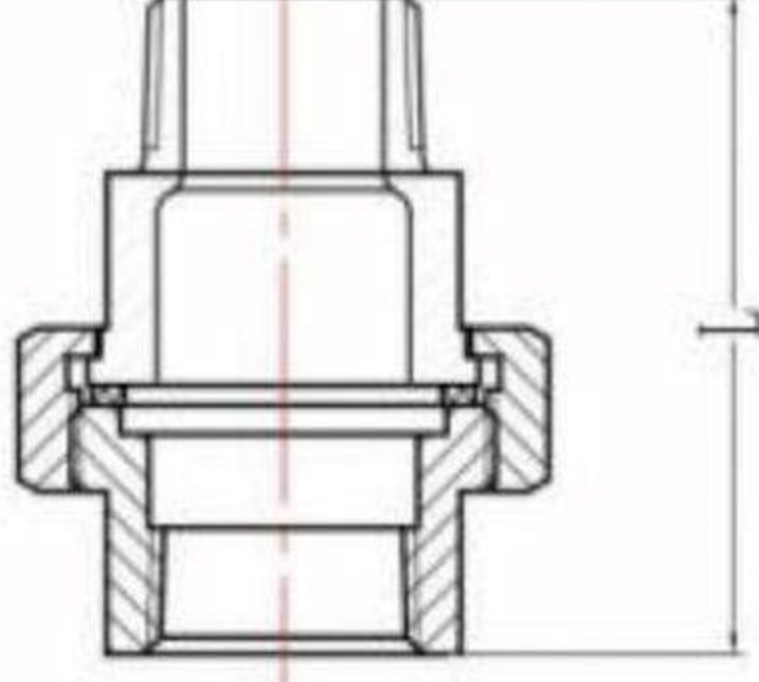


Unit:mm

331

Size	In	1/2	3/4	1	1¼	1½	2
	mm	15	20	25	32	40	50
L		64	70	78	88	93	104

M&F Straight Union, Conical Seat

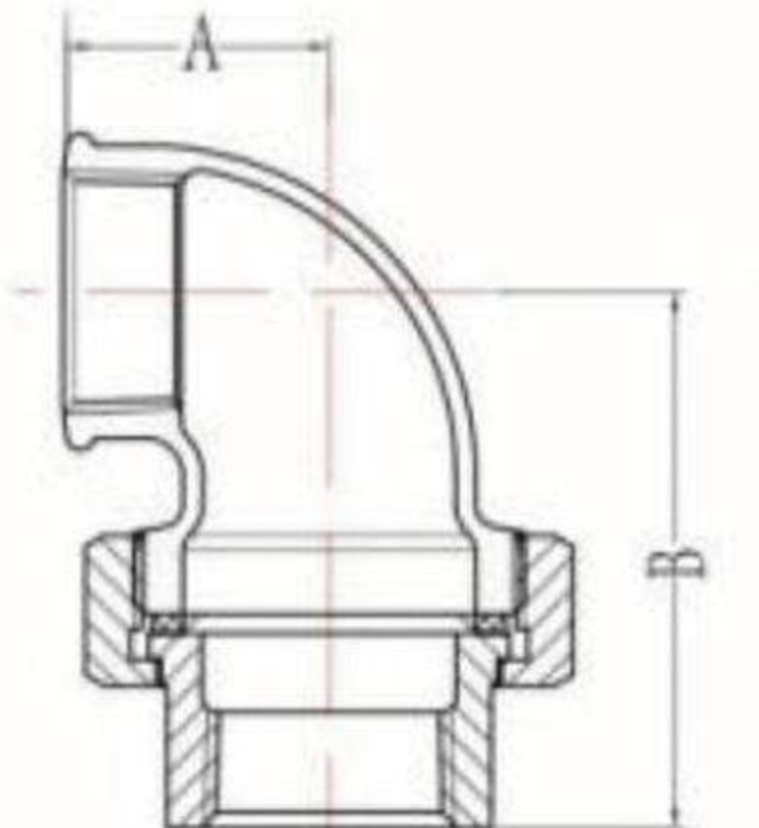


Unit:mm

341

Size	In	1/2	3/4	1	1¼	1½	2
	mm	15	20	25	32	40	50
L		65	71.5	79	90	96	107

Union Elbow Flat Seat

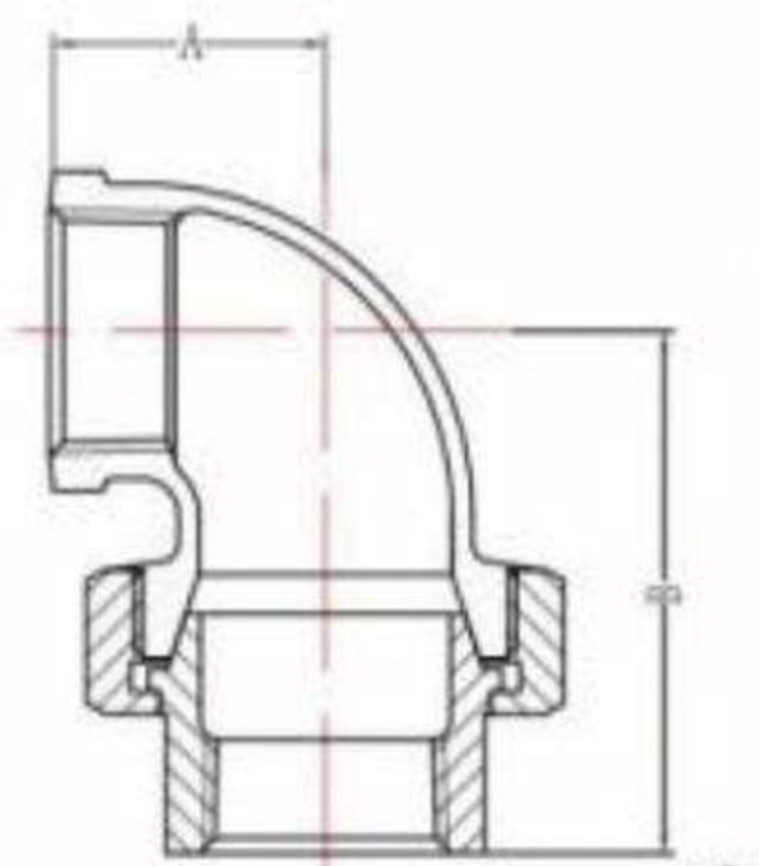


Unit:mm

95

Size	In	1/2	3/4	1	1¼	1½	2
	mm	15	20	25	32	40	50
A		24.5	29	35	42	45.5	53.5
B		54	60	68	80	86	97

Union Elbow, Conical Seat



Unit:mm

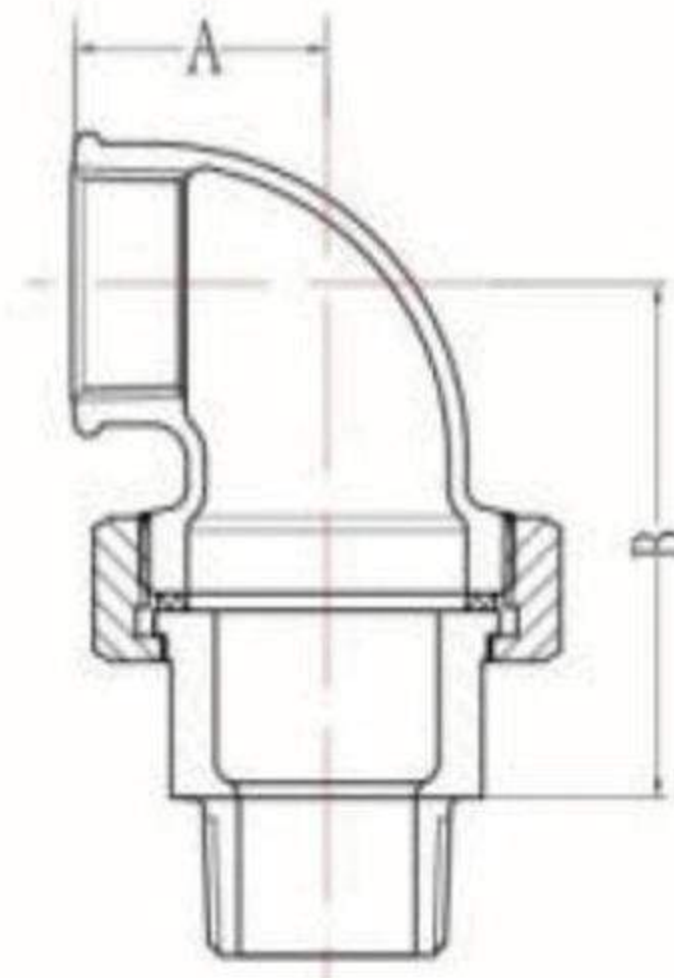
96

Size	In	1/2	3/4	1	1¼	1½	2
	mm	15	20	25	32	40	50
A		27	32	37	44.5	48.5	57
B		49.5	57	64.5	74.5	82	94

*Other sizes may also available, please indicate clearly on the inquiry or order list.

Union

M&F Union Elbow Flat Seat

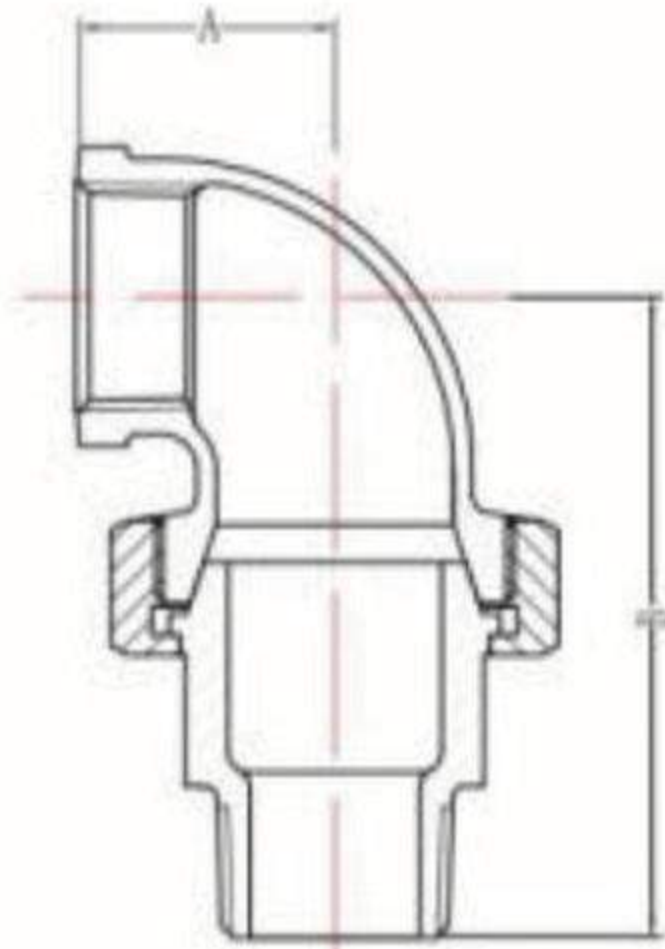


Unit:mm

97

Size	In	1/2	3/4	1	1¼	1½	2
	mm	15	20	25	32	40	50
A		24.5	29	35	42	45.5	53.5
B		72	80	90	105	111	125

M&F Union Elbow Conical Joint Iron to Iron



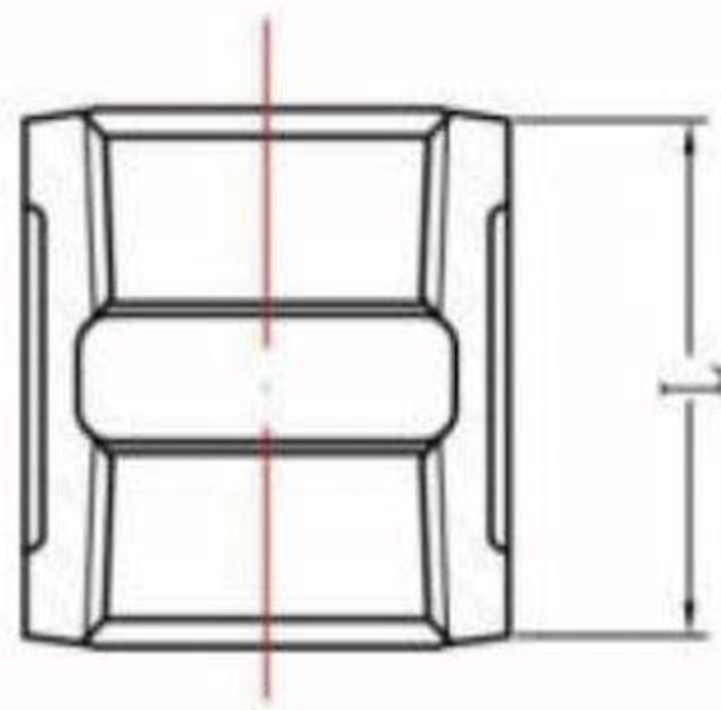
Unit:mm

98

Size	In	1/2	3/4	1	1¼	1½	2
	mm	15	20	25	32	40	50
A		27	32	37	44.5	48.5	57
B		67.5	77	86.5	99.5	107	122

Coupling

Part Threaded Socket

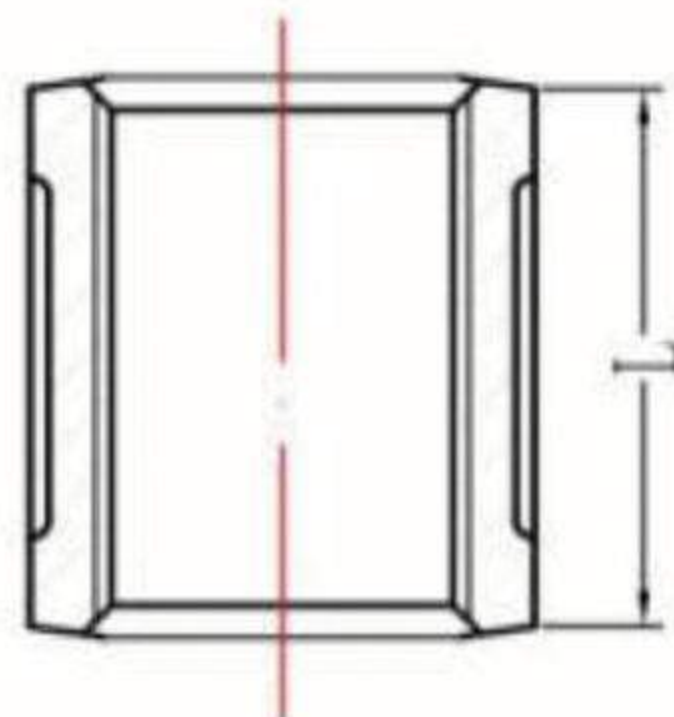


Unit:mm

220

Size	In	1/4	3/8	1/2	3/4	1	1¼
	mm	8	10	15	20	25	32
L		26	29	35	38	44	49
Size	In	1½	2	2½	3	4	6
	mm	40	50	65	80	100	150
L		53	63	72	77	91	118

Entire Therad Socket



Unit:mm

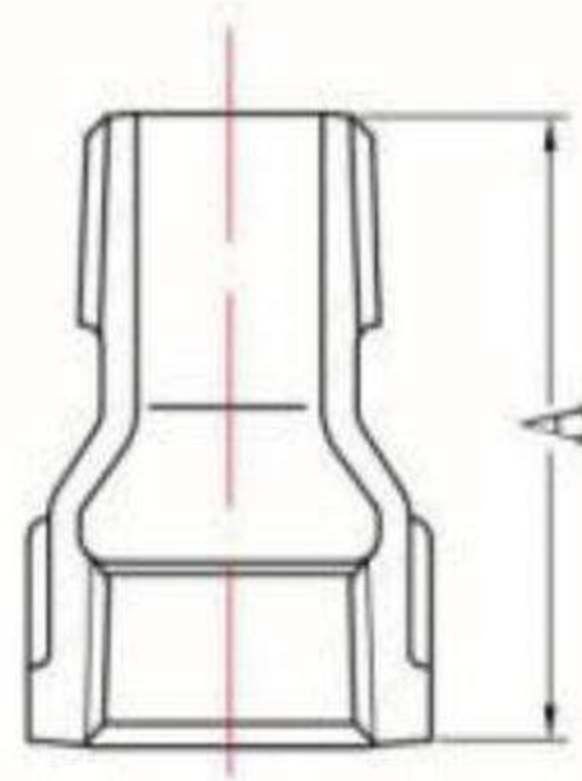
270

Size	In	1/4	3/8	1/2	3/4	1	1¼
	mm	8	10	15	20	25	32
L		26	29	35	38	44	49
Size	In	1½	2	2½	3	4	6
	mm	40	50	65	80	100	150
L		53	63	72	77	91	118

*Other sizes may also available, please indicate clearly on the inquiry or order list.

Sockets

M&F Socket

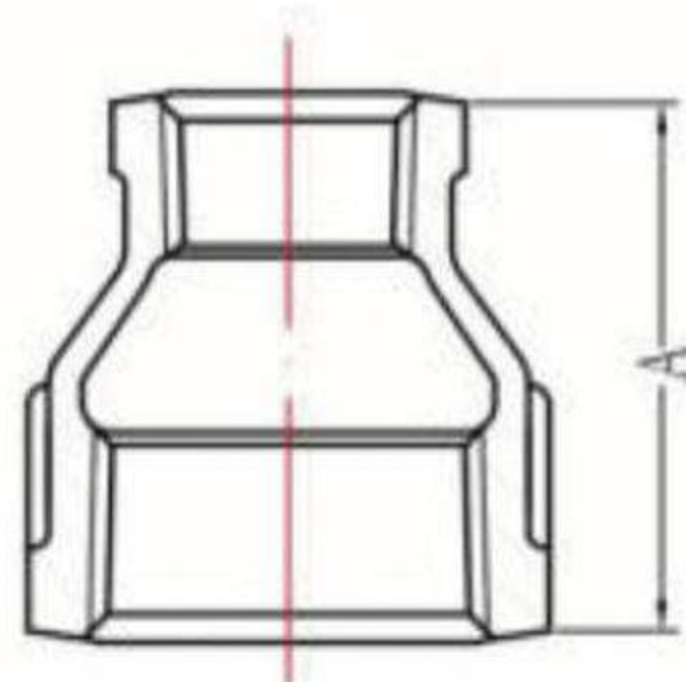


Unit:mm

529A

Size	In	1/2-SS	1/2-S	1/2-A	1/2-L	3/4	1
	mm	15-SS	15-S	15-A	15-L	20	25
A		32	35	40	44	45	52
Size	In	1¼	1½	2	3/4×1/2	1×1/2	1×3/4
	mm	32	40	50	20×15	25×15	25×20
A		57	60	66	47	54	54
Size	In	1¼×3/4	1¼×1	-	-	-	-
	mm	32×20	32×25	-	-	-	-
A		59	59	-	-	-	-

Reducing Socket



Unit:mm

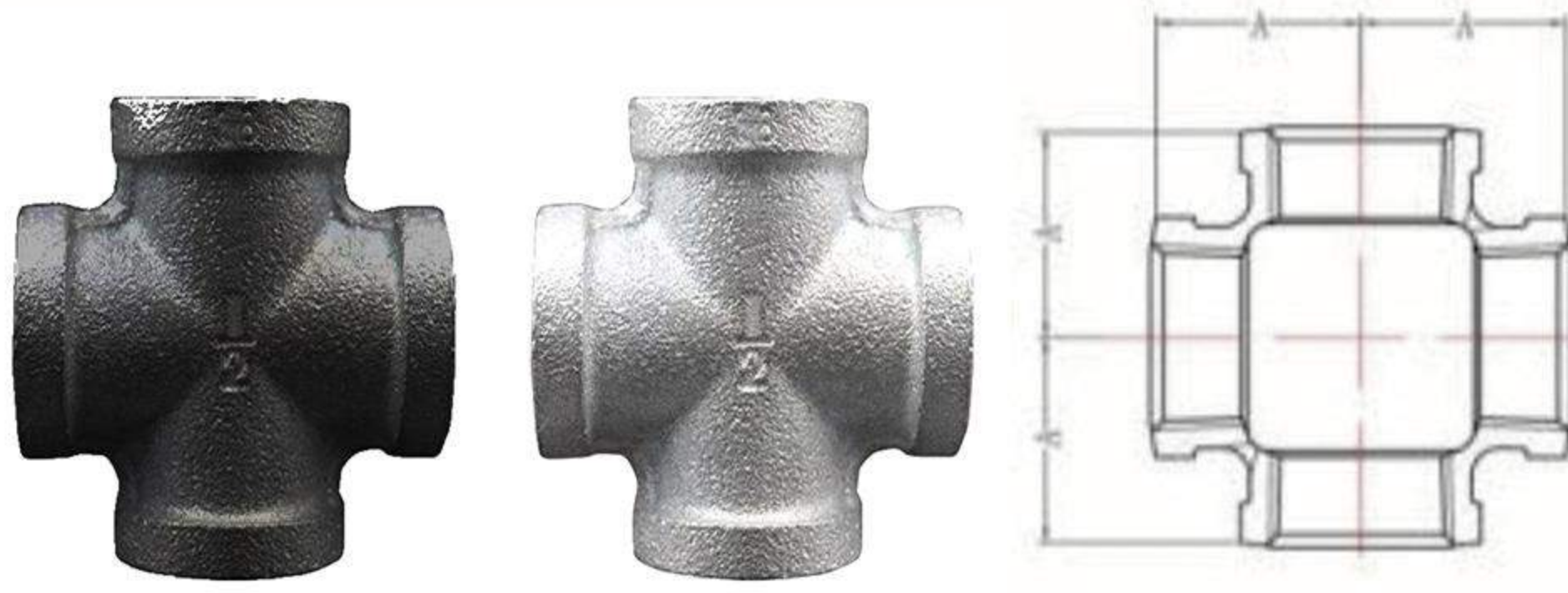
240

Size	mm	10×8	15×8	15×10	20×15	25×10	25×15
	In	3/8×1/4	1/2×1/4	1/2×3/8	3/4×1/2	1×3/8	1×1/2
A		29	35	36	38	44	44
Size	mm	32×15	32×20	32×25	40×15	40×20	40×25
	In	1¼×1/2	1¼×3/4	1¼×1	1½×1/2	1½×3/4	1½×1
A		49	49	49	53	53	53
Size	mm	40×32	50×15	50×20	50×25	50×32	50×40
	In	1½×1¼	2×1/2	2×3/4	2×1	2×1¼	2×1½
A		53	63	63	63	63	63
Size	mm	65×15	65×20	65×25	65×32	65×40	65×50
	In	2½×1/2	2½×3/4	2½×1	2½×1¼	2½×1½	2½×2
A		72	72	72	72	72	72
Size	mm	80×15	80×20	80×25	80×32	80×40	80×50
	In	3×1/2	3×3/4	3×1	3×1¼	3×1½	3×2
A		71	71	71	71	71	71
Size	mm	80×65	100×15	100×20	100×25	100×32	100×40
	In	3×2½	4×1/2	4×3/4	4×1	4×1¼	4×1½
A		71	84	84	84	84	84
Size	mm	100×50	100×65	100×80	25×20	-	-
	In	4×2	4×2½	4×3	1×3/4	-	-
A		84	84	84	44	-	-

*Other sizes may also available, please indicate clearly on the inquiry or order list.

Cross

Cross Female

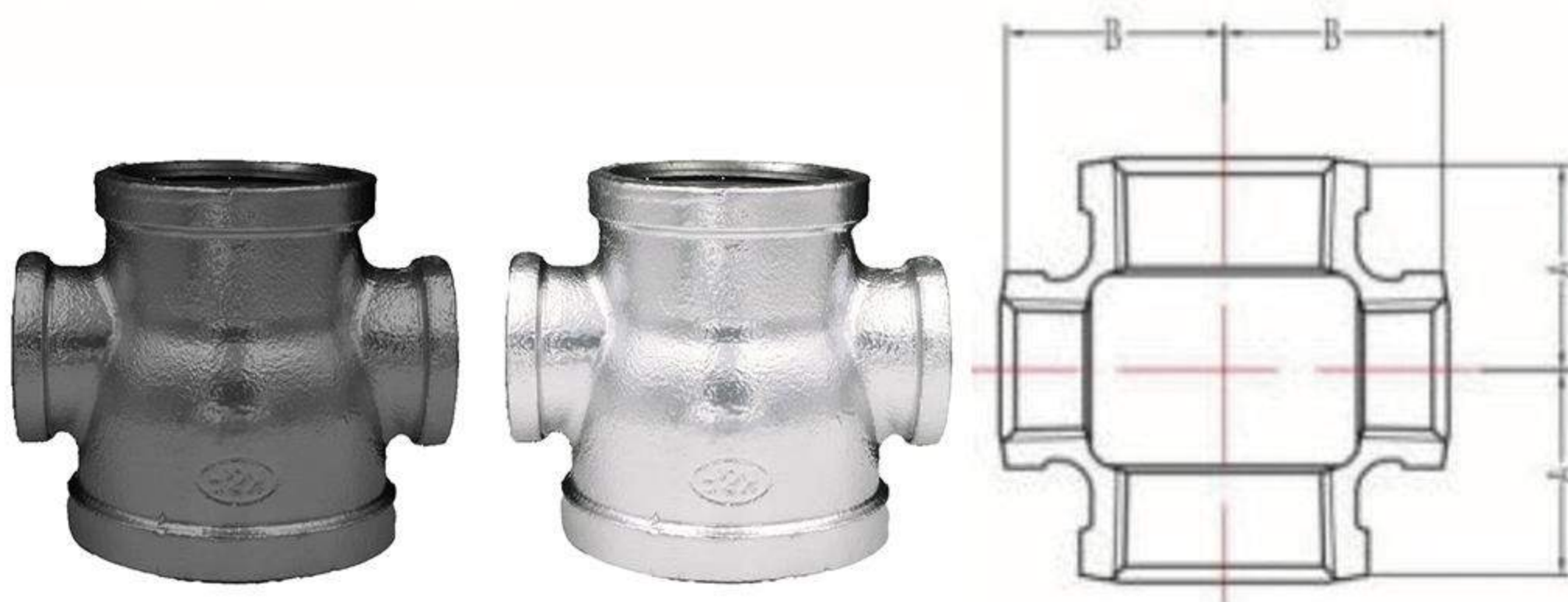


Unit:mm

180

Size	In	1/2	3/4	1	1¼	1½	2
	mm	15	20	25	32	40	50
A		27	32	37	44.5	48.5	57
Size	In	2½	3	4	-	-	-
	mm	65	80	100	-	-	-
A		68.5	77.5	96.5	-	-	-

Cross, Reducing



Unit:mm

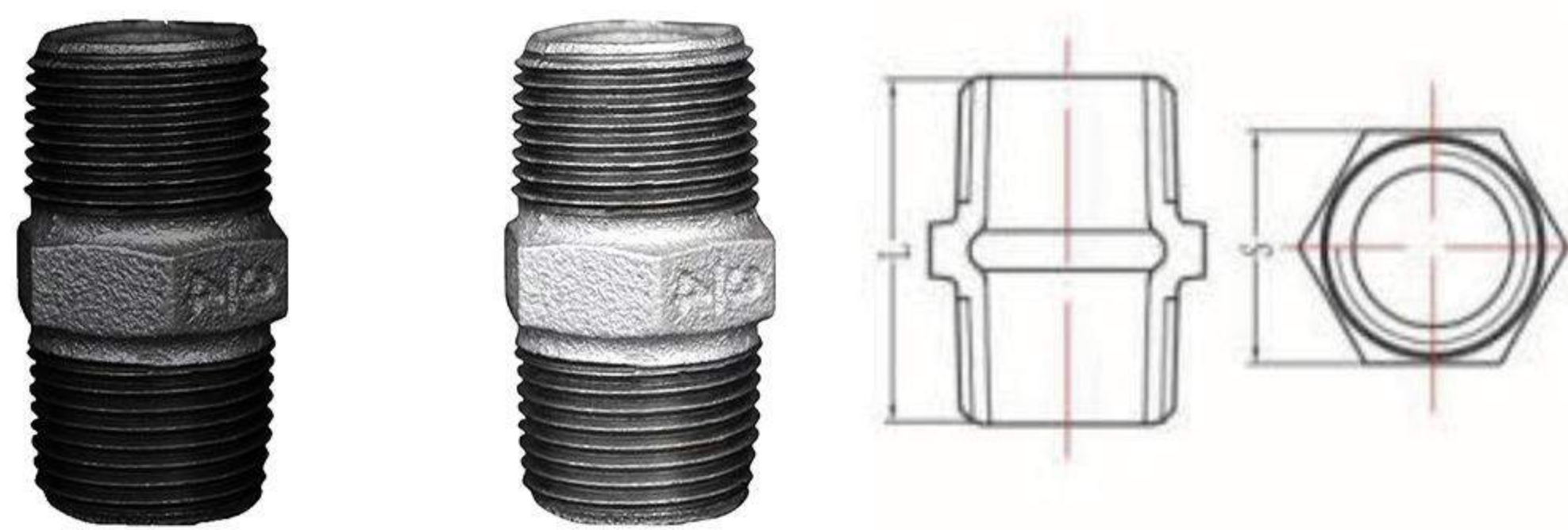
180R

Size	mm	20×15	25×15	25×20	35×15	32×20	32×25
	In	3/4×1/2	1×1/2	1×3/4	1¼×1/2	1¼×3/4	1¼×1
A		29	31	34	34	36	40
B		30	33	35	37	40	41
Size	mm	40×15	40×20	40×25	40×32	50×15	50×20
	In	1½×1/2	1½×3/4	1½×1	1½×1¼	2×1/2	2×3/4
A		35	37	41	45	37	40
B		41	43	45	47	47	49
Size	mm	50×25	50×32	50×40	65×15	65×20	65×25
	In	2×1	2×1¼	2×1½	2½×1/2	2½×3/4	2½×1
A		43	47	51	40.5	43.5	47.5
B		51	53	54	56	57	59
Size	mm	65×32	65×40	65×50	80×15	80×20	80×25
	In	2½×1¼	2½×1½	2½×2	3×1/2	3×3/4	3×1
A		51.5	54.5	59.5	42.5	45.5	49.5
B		61	61	64	64	65	67
Size	mm	80×32	80×40	80×50	80×65	100×15	100×20
	In	3×1¼	3×1½	3×2	3×2½	4×1/2	4×3/4
A		54.5	57.5	61.5	71.5	49.5	53.5
B		69	71	71	74	78	79
Size	mm	100×25	100×32	100×40	100×50	100×65	100×80
	In	4×1	4×1¼	4×1½	4×2	4×2½	4×3
A		56.5	60.5	62.5	68.5	77.5	82.5
B		82	85	85	86	89	90

*Other sizes may also available, please indicate clearly on the inquiry or order list.

Nipple

Hexagon Nipple, Equal

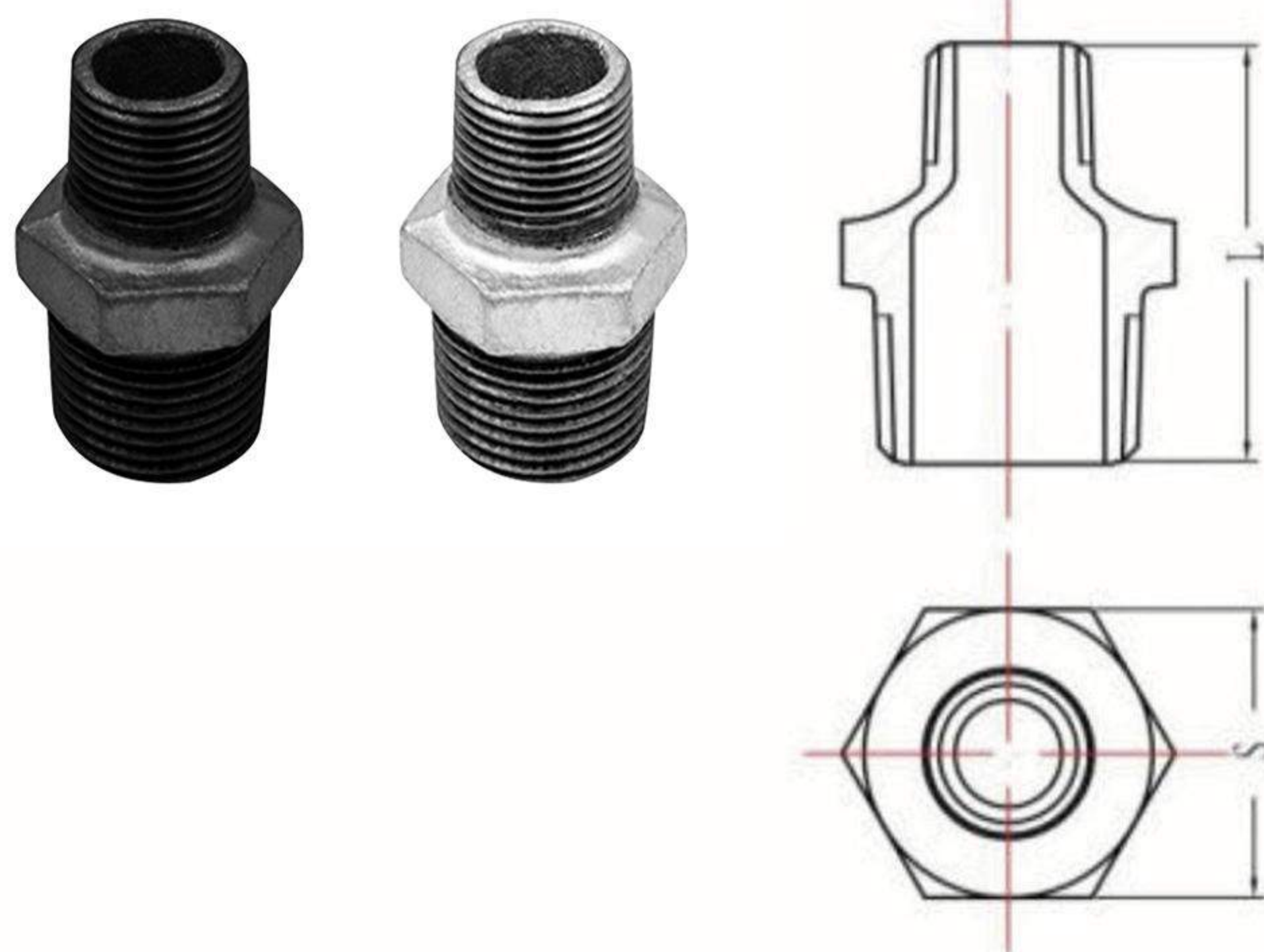


Unit:mm

280

Size	In	1/4	3/8	1/2	3/4	1	1 1/4
	mm	8	10	15	20	25	32
L		36	36	44	47	53	56
S		16.7	19.2	23.6	29.2	36	45
Size	In	1 1/2	2	2 1/2	3	4	-
	mm	40	50	65	80	100	-
L		58	68	73	81	95	-
S		51	63	79.4	91.6	117	-

Nipples, Reducing



Unit:mm

245

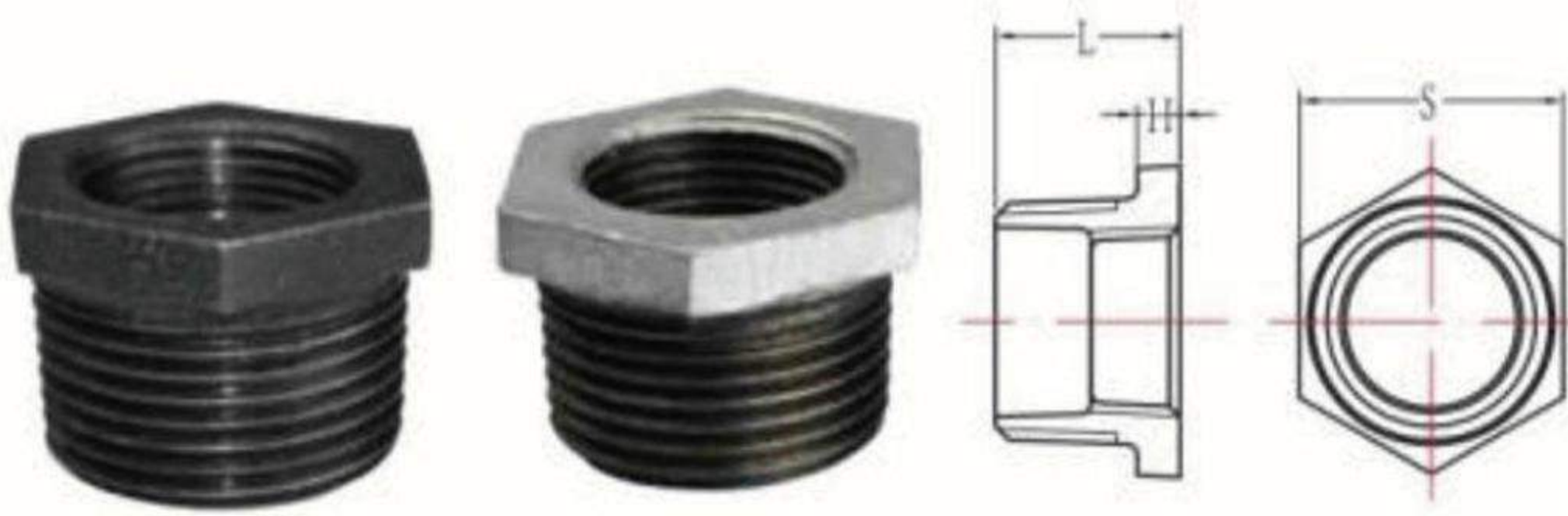
Size	mm	15×10	20×15	25×15	25×20	32×15	32×20
	In	1/2×3/8	3/4×1/2	1×1/2	1×3/4	1 1/4×1/2	1 1/4×3/4
L		44	47	53	53	57	57
S		24.4	29.9	36.8	36.8	45.6	45.6
Size	mm	32×25	40×15	40×20	40×25	40×32	50×15
	In	1 1/4×1	1 1/4×1/2	1 1/2×3/4	1 1/2×1	1 1/2×1 1/4	2×1/2
L		57	59	59	59	59	68
S		45.6	50.5	50.5	50.5	50.5	63.5
Size	mm	50×20	50×25	50×32	50×40	-	-
	In	2×3/4	2×1	2×1 1/4	2×1 1/2	-	-
L		68	68	68	68	-	-
S		63.5	63.5	63.5	63.5	-	-

*Other sizes may also available, please indicate clearly on the inquiry or order list.

Bushing

Bushing

241



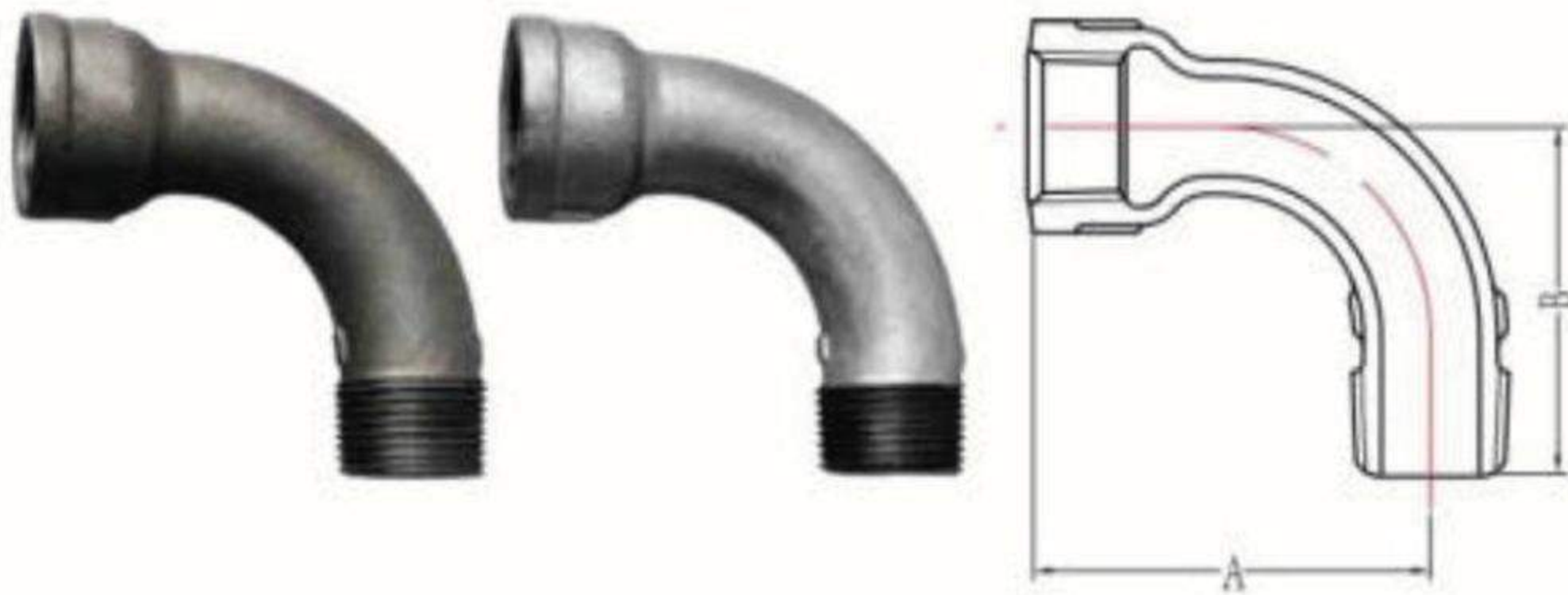
Unit:mm

Size	In	3/8×1/4	1/2×1/4	1/2×3/8	3/4×3/8	3/4×1/2	1×1/2
	mm	10×8	15×8	15×10	20×10	20×15	25×15
L		18.5	22.5	22.5	24.5	24.5	28
H		6	6	6	6	6	6.5
S		18.4	22	22	29.6	29.6	37.4

Bends

90° M&F Long Sweep Bend

1



Unit:mm

Size	In	3/8	1/2	3/4	1	1¼	1½
	mm	10	15	20	25	32	40
A		48	55	69	85	105	116
B		42	48	60	75	95	105
Size	In	2	2½	3	4	-	-
	mm	50	65	80	100	-	-
A		140	176	205	260	-	-
B		130	165	190	245	-	-

Banded Long Sweep Bends



Unit:mm

Size	In	1/2	3/4	1	1¼	1½	2
	mm	15	20	25	32	40	50
A		36	43	51	64	-	-

Return Bend



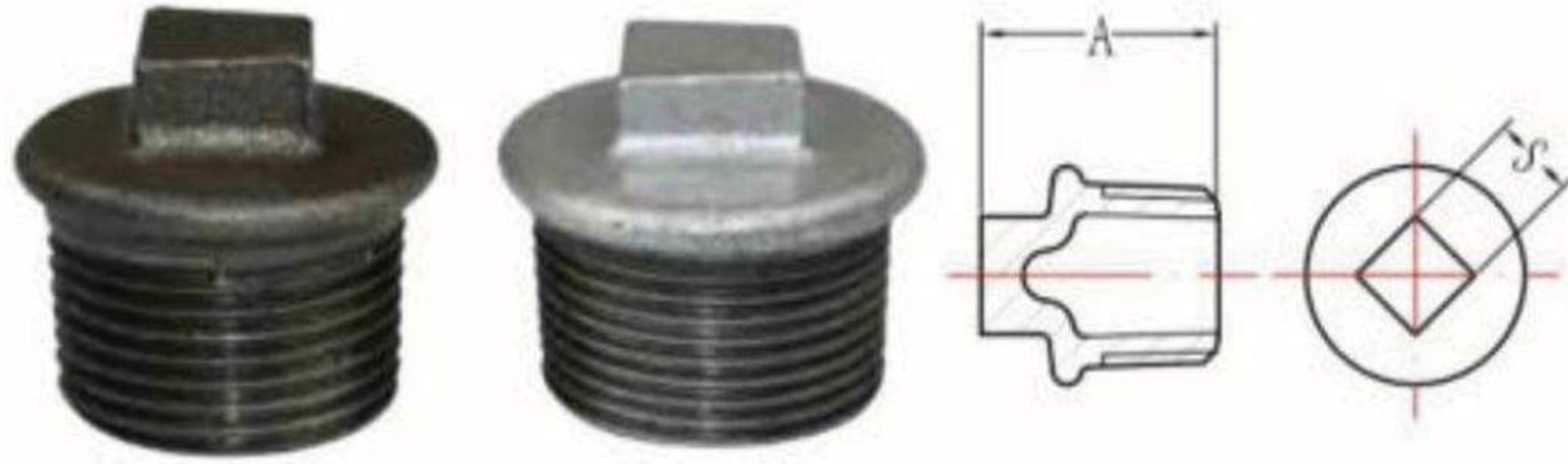
Unit:mm

Size	In	1/2	3/4	1	1¼	1½	2
	mm	15	20	25	32	40	50
A		30	-	-	-	-	-
B		80	-	-	-	-	-

*Other sizes may also available, please indicate clearly on the inquiry or order list.

Plug/Caps

Beaded Plug

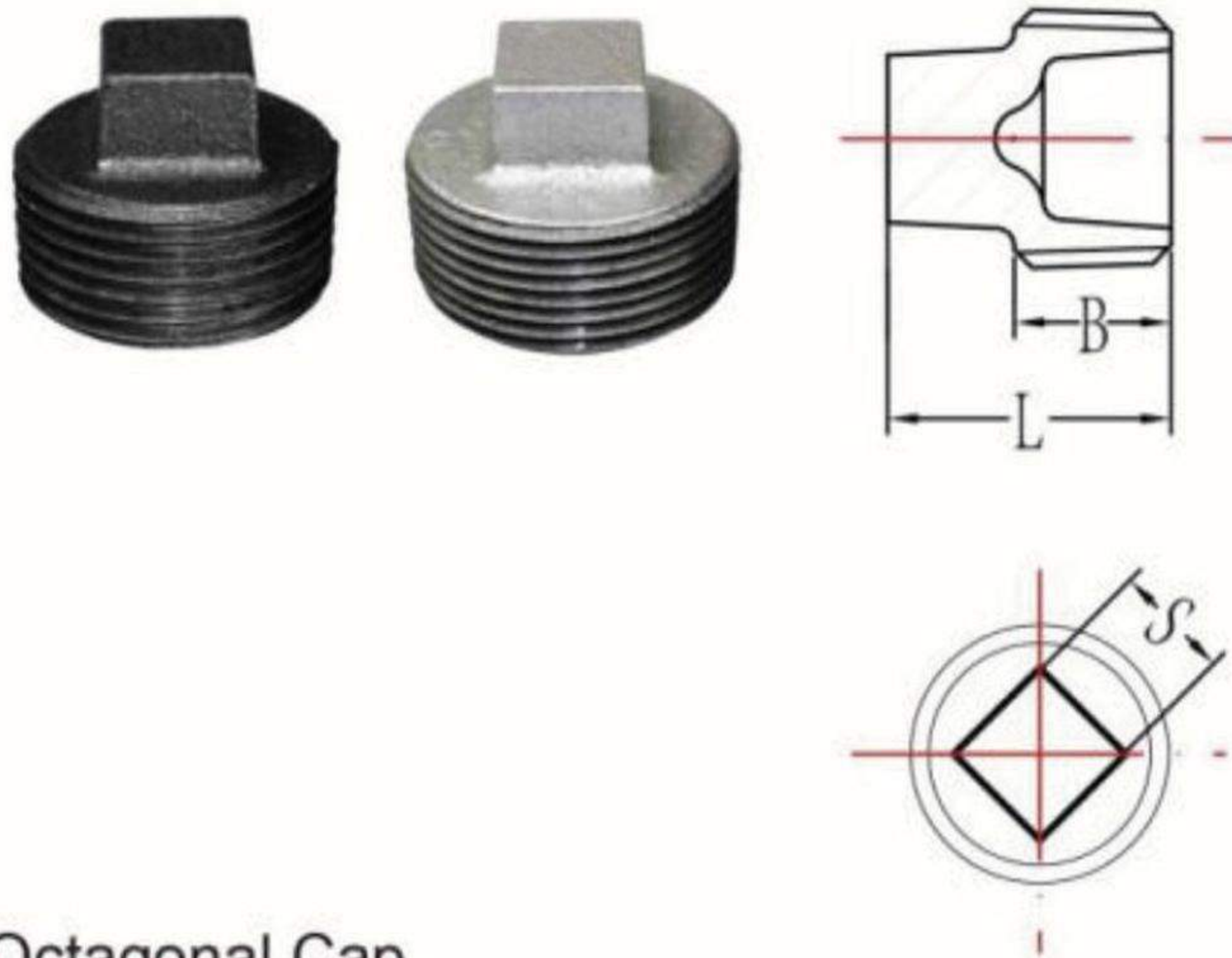


Unit:mm

290

Size	In	1/4	3/8	1/2	3/4	1	1 1/4
	mm	8	10	15	20	25	32
A		22.5	25	28	32	36	38.5
S		6	7	10	12	16	20
Size	In	1 1/2	2	2 1/2	3	-	-
	mm	40	50	65	80	-	-
A		41	47	48.5	53	-	-
S		22	28	30	34	-	-

Plain Plug

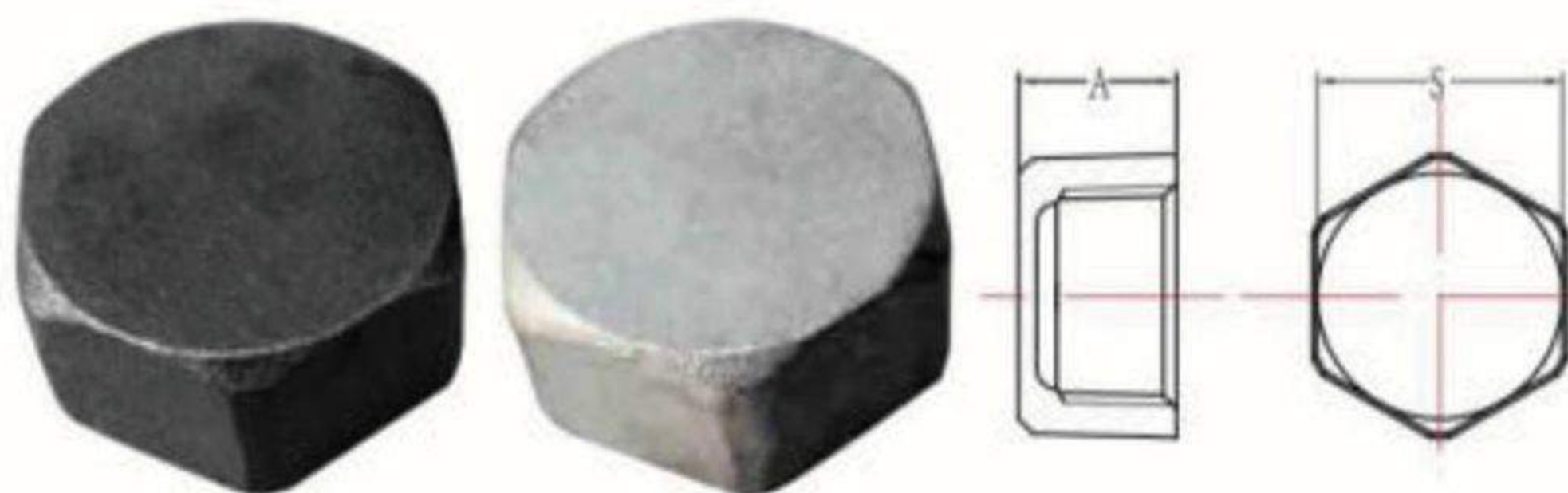


Unit:mm

291

Size	In	1/4	3/8	1/2	3/4	1	1 1/4
	mm	8	10	15	20	25	32
L		15.5	17	22.5	24	27	30
B		10	10	13	14	16.5	20
S		6	7	10	12	15	18
Size	In	1 1/2	2	2 1/2	3	4	-
	mm	40	50	65	80	100	-
L		31	36	40.5	45.5	57	-
B		21	25	26.5	29.5	38	-
S		22	26	30	34	44	-

Octagonal Cap



Unit:mm

300

Size	In	3/8	1/2	3/4	1	1 1/4	1 1/2
	mm	10	15	20	25	32	40
A		17	19	22	24	27	28
S		20.6	24.6	30.4	37.2	47	53
Size	In	2	-	-	-	-	-
	mm	50	-	-	-	-	-
A		32	-	-	-	-	-
S		65	-	-	-	-	-

Round Cap



Unit:mm

301

Size	In	3/8	1/2	3/4	1	1 1/4	1 1/2
	mm	10	15	20	25	32	40
A		17	19	22	24	27	28
Size	In	2	2 1/2	3	4	-	-
	mm	50	65	80	100	-	-
A		32	36	39	46	-	-

*Other sizes may also available, please indicate clearly on the inquiry or order list.

Others

Backnut



Unit:mm

310

Size	In	1/2	3/4	1	1¼	1½	2
	mm	15	20	25	32	40	50
A		9	10	11	11	12	13
S		29	36	45	56	63	77
Size	In	2½	3	4	-	-	-
	mm	65	80	100	-	-	-
A		15	18	21	-	-	-
S		93	109	137	-	-	-

Crossover



Unit:mm

85

Size	In	1/2	3/4	1	1¼	1½	2
	mm	15	20	25	32	40	50
L		90	104	120	149	160	194

Round Flange, Without Bolt Hole



Unit:mm

321

Size	In	1¼	1½	2	2½	3	4
	mm	32	40	50	65	80	100
A		24	26	29	33	34	39
B		105	110	125	145	160	180

Round Flange, With 4 Bolt Holes



Unit:mm

329

Size	In	1¼	1½	2	2½	3	4
	mm	32	40	50	65	80	100
L		24	26	29	33	34	39
B		105	110	125	145	160	180
N-C		4-18	4-18	4-18	4-18	8-18	8-18
Size	In	6	-	-	-	-	-
	mm	150	-	-	-	-	-
L		42	-	-	-	-	-
B		240	-	-	-	-	-
N-C		8-22	-	-	-	-	-

Side Outlet Elbow



Unit:mm

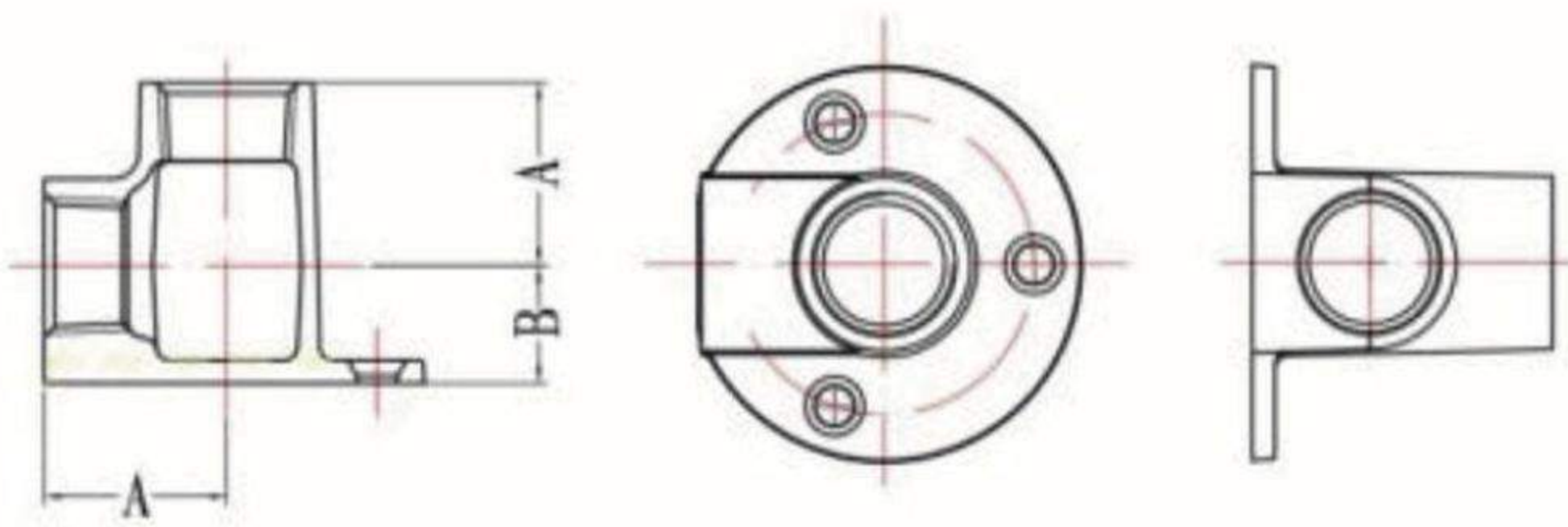
1221

Size	In	1/2	3/4	1
	mm	15	20	25
A		27	32	37

*Other sizes may also available, please indicate clearly on the inquiry or order list.

Others

Bracket Elbow



471

Unit:mm

Size	In	1/2	3/4	1	1¼	1½	2
	mm	15	20	25	32	40	50
A		28	33	-	-	-	-
B		18	20	-	-	-	-

Lateral Y Branch,45°



165

Unit:mm

Size	In	1/2	3/4	1	1¼	1½	2	2½	3	4
	mm	15	20	25	32	40	50	65	80	100
A		42	-	62	75	82	-	-	140	-
B		18	-	23	28	30	-	-	45	-

Union Tail Piece(part of 330)



372

Unit:mm

Size	In	1/2	3/4	1	1¼	1½	2
	mm	15	20	25	32	40	50
A		-	-	26	30	-	-
S		-	-	38	48	-	-

Union Nut



374

Unit:mm

Size	In	1/2	3/4	1	1¼	1½	2
	mm	15	20	25	32	40	50
A		-	-	22	24	-	-
G		-	-	1½	2	-	-
S		-	-	54	65	-	-

Short Compression Coupling



SCC

Unit:mm

Size	In	1/2	3/4	1	1¼	1½	2
	mm	15	20	25	32	40	50
A		53	58	64	-	-	-

*Other sizes may also available, please indicate clearly on the inquiry or order list.